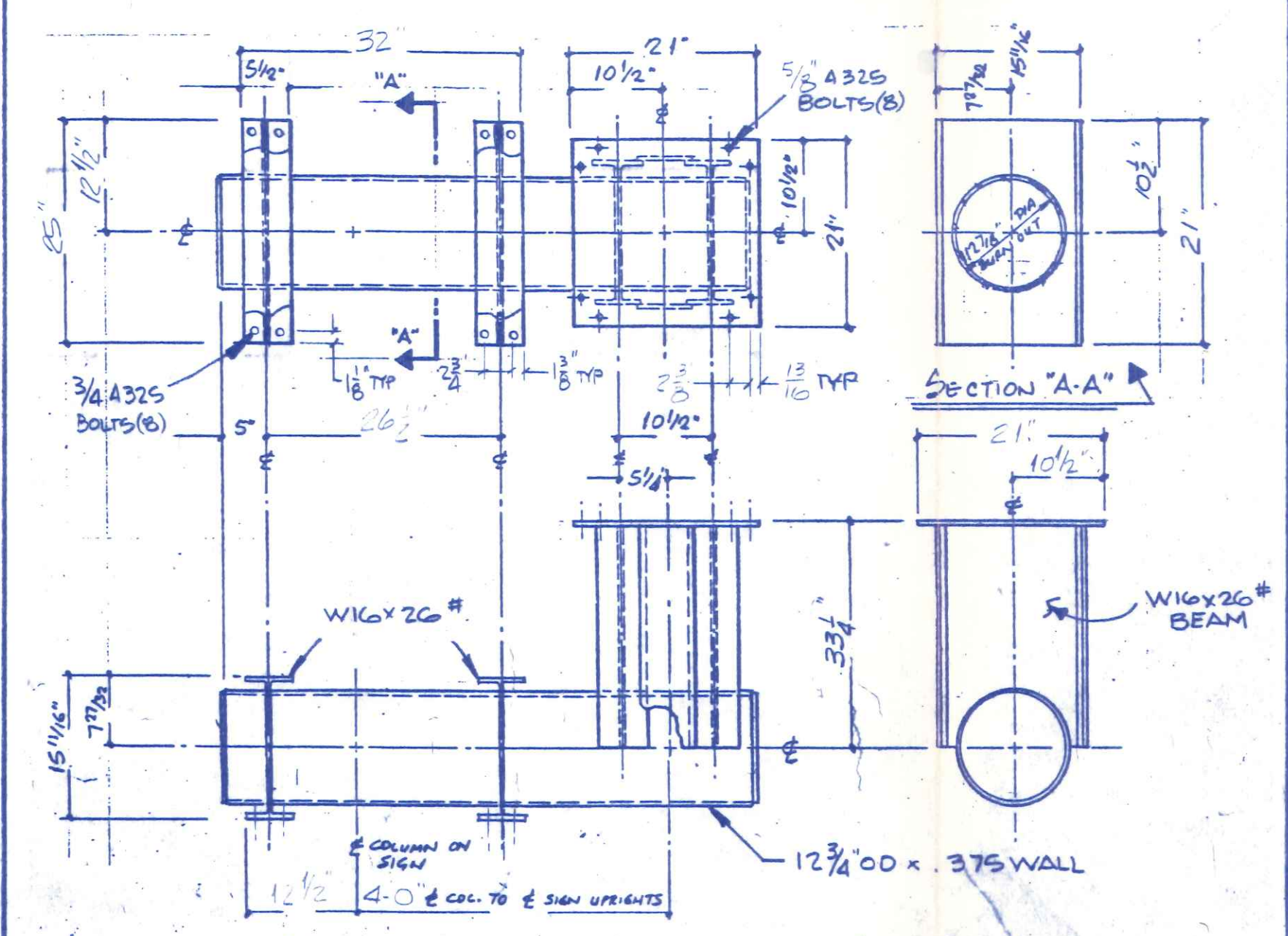
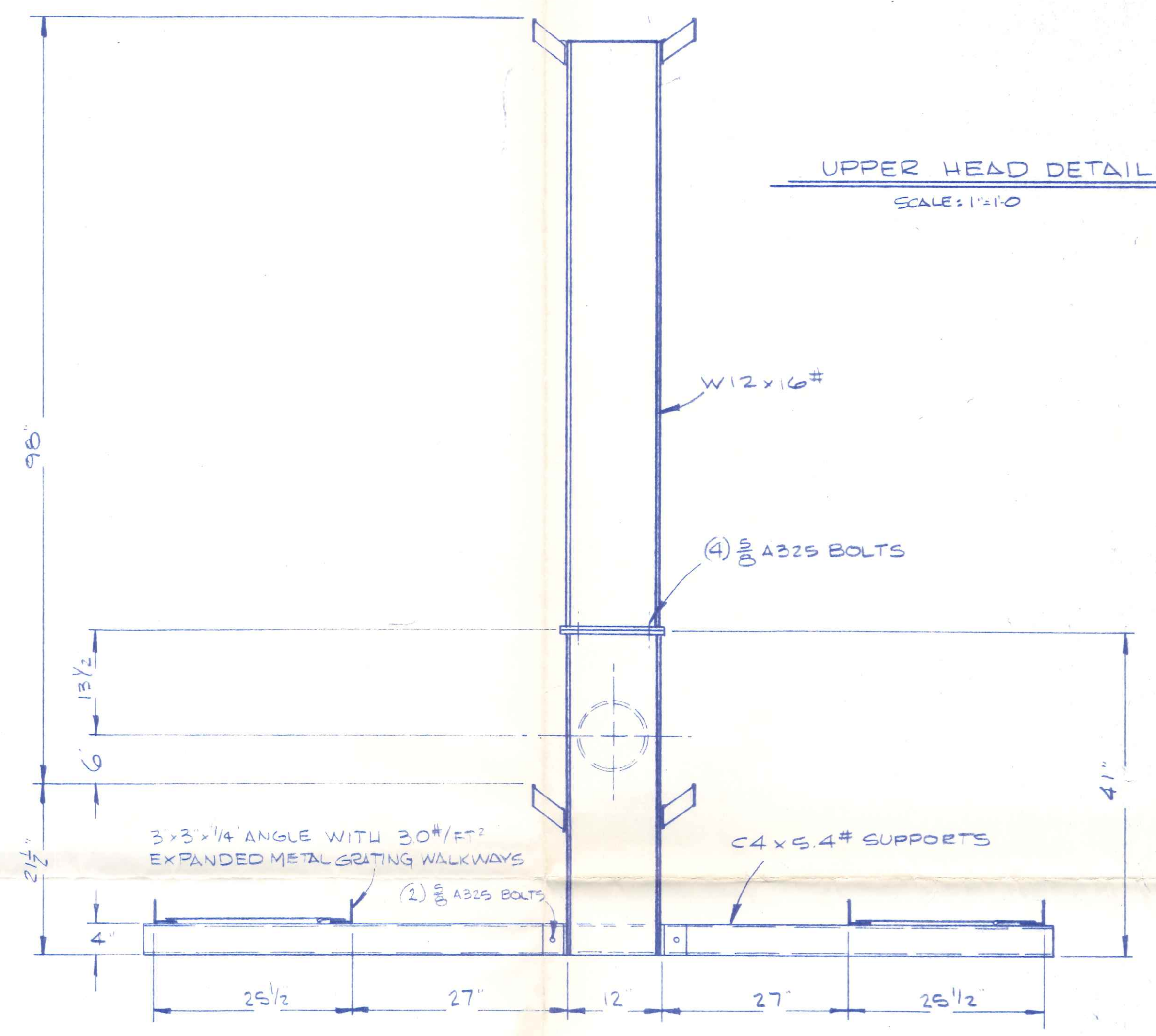


ELEVATION VIEWS
SCALE: 3/8" = 1'-0"



- SPECIFICATIONS**
1. STEEL ROLLED SECTIONS: ASTM A36
 2. PIPE SECTIONS: ASTM A53B
 3. CONCRETE: 3000 PSI AT 28 DAYS
 4. WIND LOAD: 30 PSF
 5. WIND LOAD AREA: 300.125 SQ. FT.
 6. HORIZONTAL SOIL PRESSURE: 300#/FT²/FT
 7. BOLTS - 1/2" DIA MIN-GRADE A307
5/8" LARGER-GRADE A325

STATE OF OHIO
R. DUANE ROLAND
E-42867
REGISTERED PROFESSIONAL ENGINEER

1303 Oakwood

PRODUCTIVITY CORP.
425 NW "K" STREET
RICHMOND, IN 47374
PH: 317-962-2896

SCALE: NOTED DATE: 10-20-94 APPROVED BY: R. Scott DRAWN BY: R. Scott

12' x 24' 6", CM, BB, 4'-0" OFFSET

NORTON OUTDOOR DRAWING NUMBER: 41-9136